

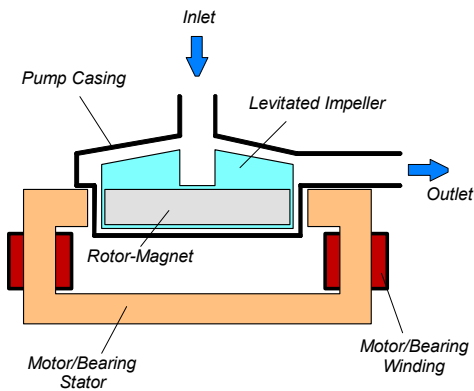
# PuraLev® Life Science Pump Series



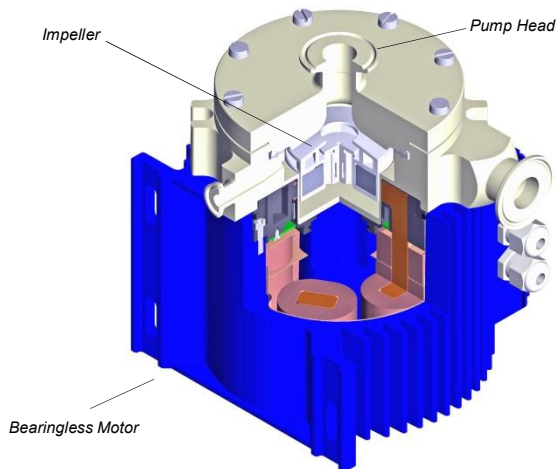
## PuraLev® 2000MU (Multi-Use)

4.1 bar	(59.5 psi)
140 liters/min	(37 gallons/min)

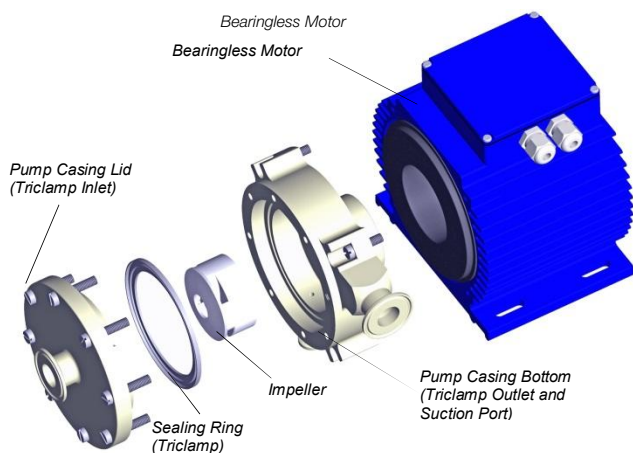
**No Bearings. No Seals. No Contamination!**



**Figure 1:** Schematic of the main elements of the maglev centrifugal pump



**Figure 2:** Cross-section of the bearingless pump motor and pump head.



**Figure 3:** Multi-use pump head concept

## INTRODUCTION

Levitronix® has developed a revolutionary pump that has no bearings to wear out or seals to break. Based on the principles of magnetic levitation, the pump's impeller is suspended, contact-free, inside a sealed casing and is driven by the magnetic field of the motor (Figure 1). The impeller and casing are both fabricated from biocompatible (FDA, USP-VI, BSE/TSE and Animal free) fluorocarbon resins and together they make up the multi-use pump head. Flow rate or pressure is precisely controlled by electronically regulating the rotor speed, which eliminates any pulsation. With the lack of mechanical bearings plus the self-contained pump head design, the risk of contamination is drastically reduced. The absence of narrow gaps between the impeller and pump casing, plus the low-shear pump design allows the gentle pumping of sensitive liquids. The pump casing is fabricated with Triclamp fittings and has an aseptic seal design for the pump housing (see Figure 5).

## SYSTEM BENEFITS

- Reduced risk of contamination due to the self-contained design with magnetic bearings
- Low shear-forces
- No particle generation
- No narrow gaps between the impeller and pump casing where bacteria could be entrapped
- Pump head is multiple times steam sterilizable (multi-use)
- Biocompatibility of wet materials: FDA, USP-VI, Animal/BSE/TSE free
- Easy disassembling of pump casing for cleaning
- Aseptic pump housing design with Triclamp fittings and sealing technology
- Small size
- Dry running capability
- Proven technology in the medical (disposable blood pumps) and semiconductor (high-purity pumps) industries
- High flow capability with compact design
- Pulsation free

## APPLICATIONS

- Pumping of shear-sensitive liquids and cells
- Bioprocessing
- Recirculation and transfer applications in bioreactors
- Perfusion of hollow-fiber reactors
- Sterile and aseptic flow circuits in the pharmaceutical and food industry

## STANDALONE SYSTEM CONFIGURATION

The standalone configuration of the *PuraLev*<sup>®</sup> 2000MU pump system consists of a controller with an integrated user panel allowing the operator to set the speed manually (see *Figure 6*). The speed is automatically stored in the internal EEPROM of the controller. As an option, the speed can also be set with an analog signal (see specification for *Position 3a* in *Table 2*).

## EXTENDED SYSTEM CONFIGURATION

The extended version of the *PuraLev*<sup>®</sup> 2000MU pump system (*Figure 7*) consists of a controller with an extended PLC interface. The PLC interface allows the speed to be set via an external signal, facilitating precise closed-loop flow or pressure control when either a flow or pressure sensor is integrated into the system (see specification of *Position 3b* in *Table 2*). A computer can be connected via a USB interface to allow communication with *Levitronix*<sup>®</sup> *Service Software*. Hence parameterization, firmware updates and failure analysis are possible.

## ATEX SYSTEM CONFIGURATION

An ATEX certified motor together with the pump head allows installation of motor and pump head within an ATEX Zone 2 area (see *Figure 8*). The ATEX motors (*Pos. 2b* in *Table 2*) come with special connectors and relevant extension cables (*Pos. 5a* and *5b* in *Table 3*). An ATEX conform solution is needed for the motor cables to leave the ATEX area. One option is an ATEX certified cable sealing system as listed in *Table 4* and shown in *Figure 12*.

## HAZLOC SYSTEM CONFIGURATION

An Hazardous Location NRTL certified motor together with the pump head allows installation of motor and pump head within an *Class 1 Division 2* area (see *Figure 8*). The HazLoc motors (*Pos. 2c* and *2d* in *Table 2*) come with special connectors and NPT threads on the motor housing to attach a conduit for the cables to leave the hazardous location area.

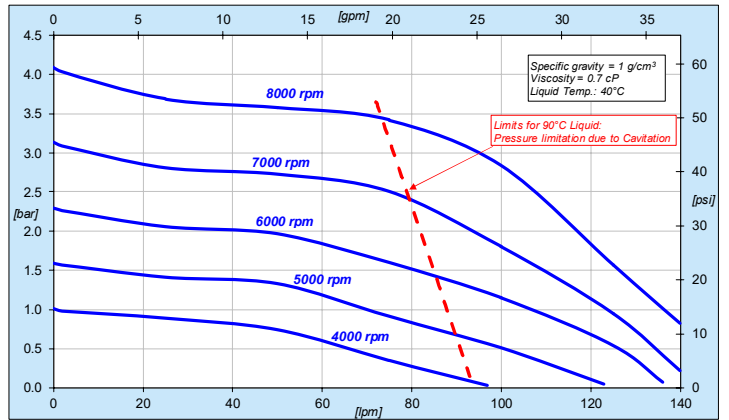


Figure 4: Pressure/flow curves

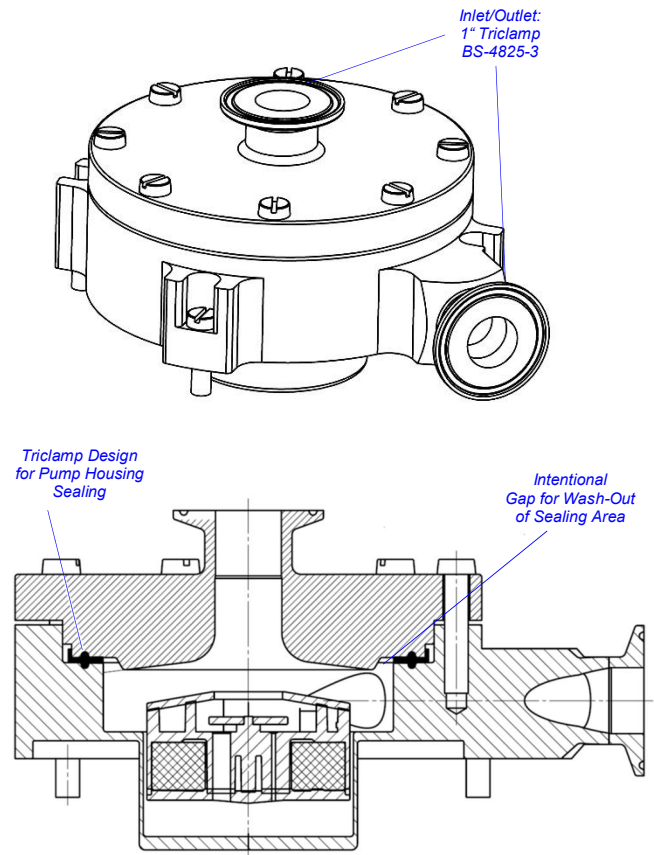


Figure 5: Aseptic pump head (without drain port)

# SYSTEM CONFIGURATIONS

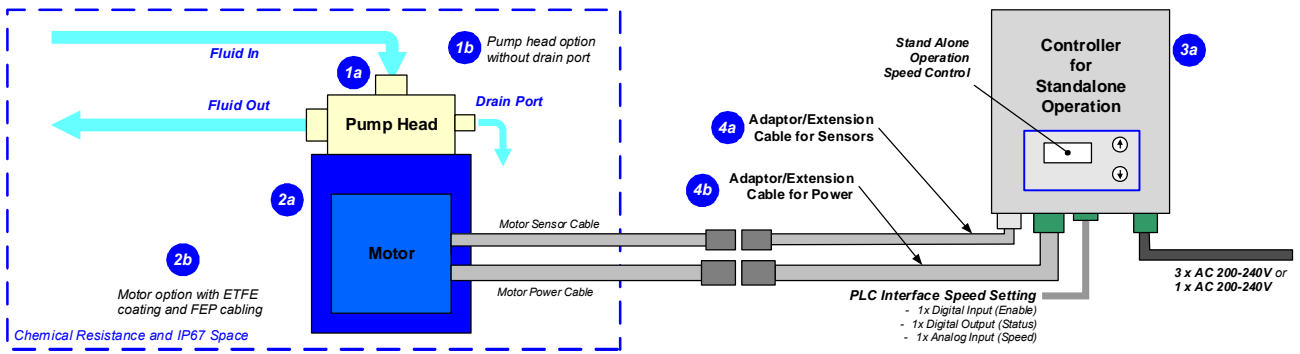


Figure 6: System configuration for standalone operation (speed setting with integrated user panel)

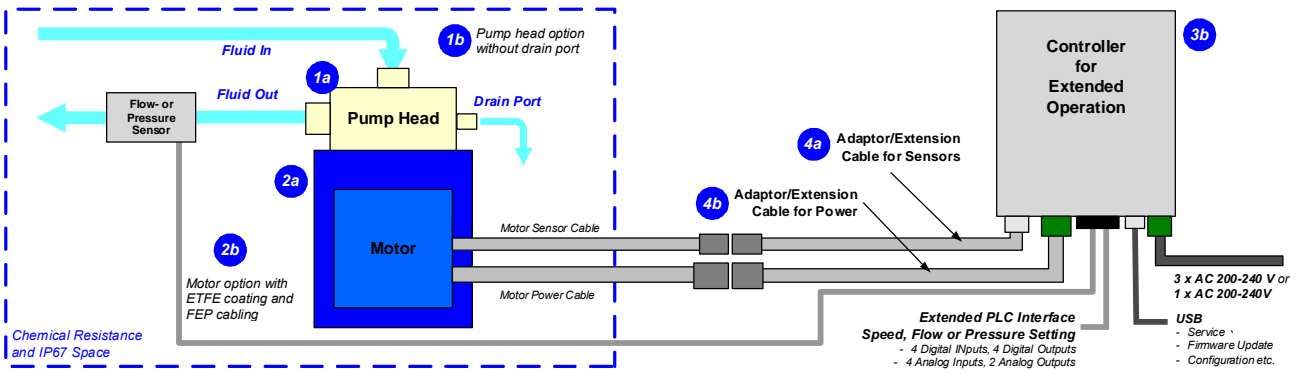


Figure 7: Extended operation (flow or pressure control) with extended controller

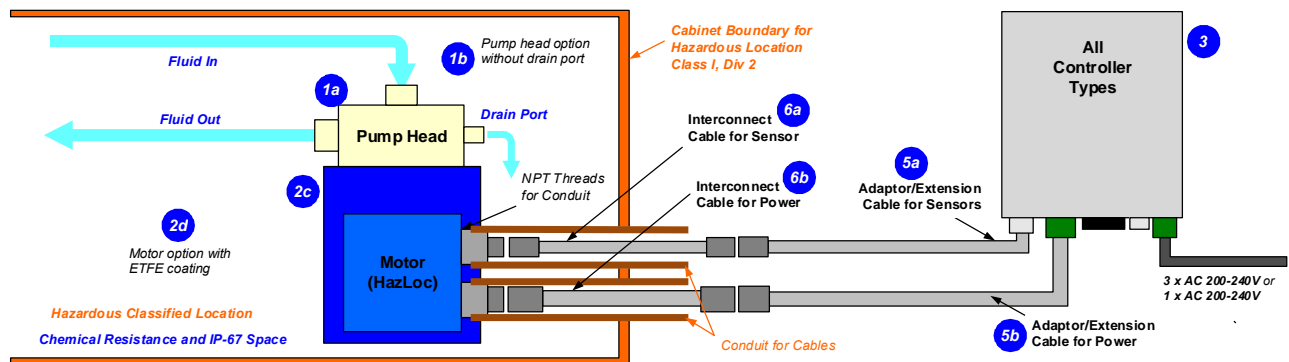
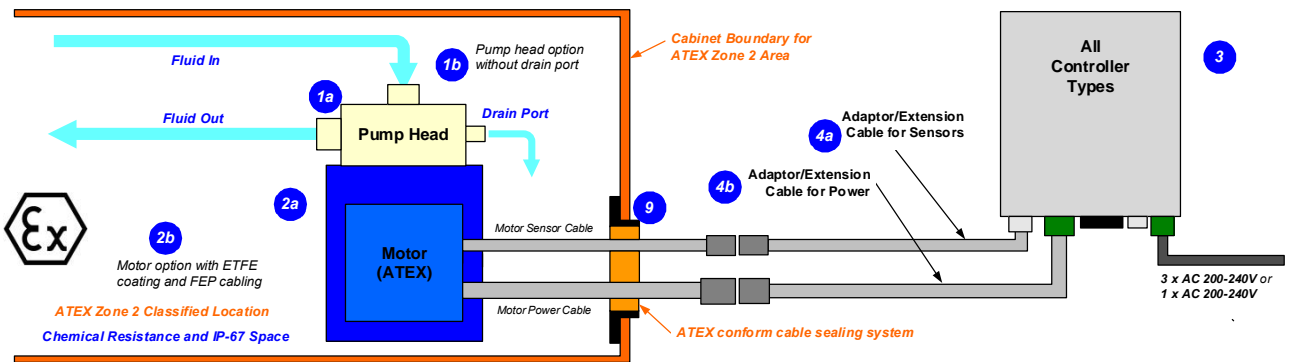
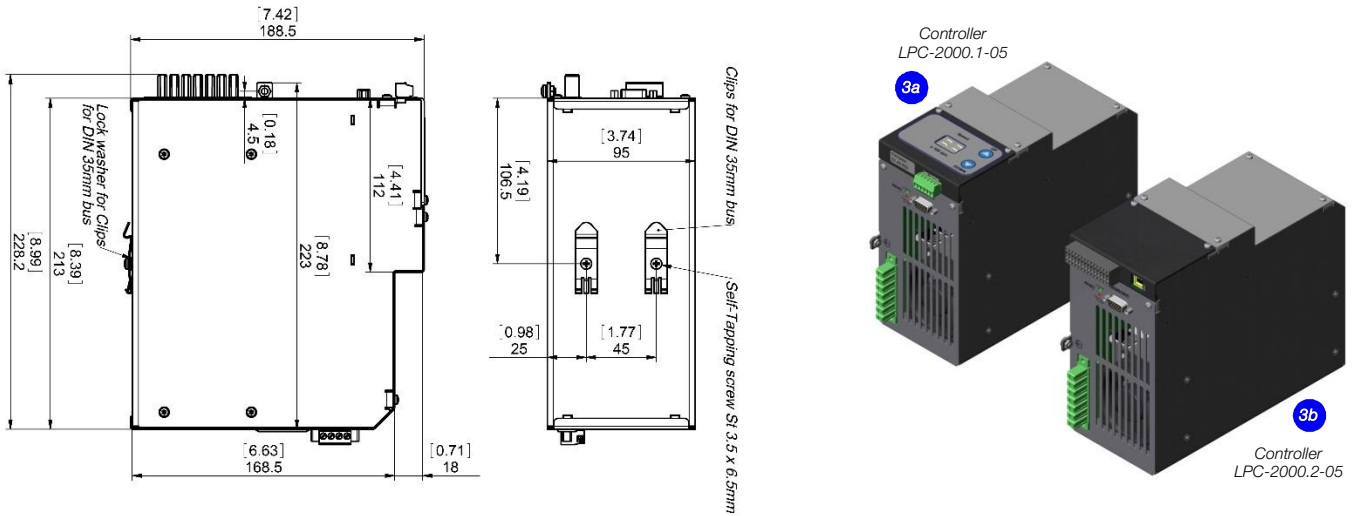
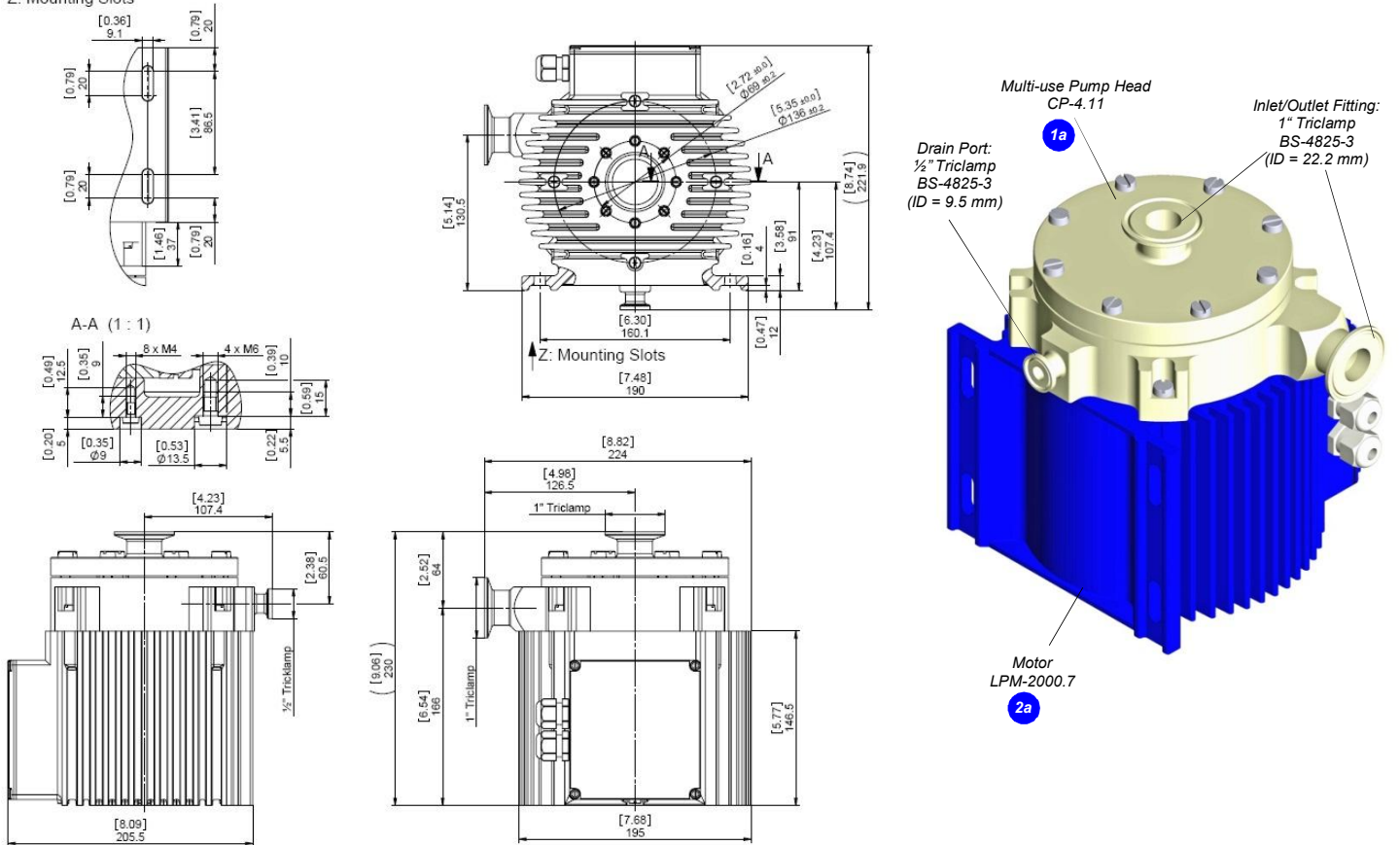


Figure 8: System Configuration for ATEX and Hazardous Location applications

# DIMENSIONS OF MAIN COMPONENTS



## Z: Mounting Slots



# ORDER INFORMATION

System Name	Article #	Pump Head	Motor	Controller	Note		
PuraLev® 2000MU.1	100-90634	CP-4.11 (with drain port)	LPM-2000.7	LPC-2000.1-05	Adaptor/Extension cables according to Table 3 have to be ordered as separate articles with specified length. ATEX Cable Sealing System can be ordered according to Table 4.		
PuraLev® 2000MU.2	100-90635		LPM-2000.8	LPC-2000.2-05			
PuraLev® 2000MU.4	100-90637		LPM-2000.7	LPC-2000.1-05			
PuraLev® 2000MU.5	100-90638		LPM-2000.7	LPC-2000.2-05			
PuraLev® 2000MU.7	100-90640		LPM-2000.7	LPC-2000.1-05			
PuraLev® 2000MU.8	100-90641	CP-4.19 (without drain port)	LPM-2000.7	LPC-2000.2-05	Certifications: CE, IECEE CB scheme, ETL (NRTL), ATEX and IECEx.		
PuraLev® 2000MU.10	100-90643		LPM-2000.8	LPC-2000.1-05			
PuraLev® 2000MU.11	100-90644		LPM-2000.8	LPC-2000.2-05			
PuraLev® 2000MU.13	100-91197		CP-4.11 (with drain port)	LPM-2000.10		LPC-2000.1-05	Adaptor/Extension and interconnect cables according to Table 3 have to be ordered as separate articles with specified length.
PuraLev® 2000MU.14	100-91198			LPM-2000.10		LPC-2000.2-05	
PuraLev® 2000MU.16	100-91200	LPM-2000.9		LPC-2000.1-05			
PuraLev® 2000MU.17	100-91201	LPM-2000.9		LPC-2000.2-05			
PuraLev® 2000MU.19	100-91203	LPM-2000.10		LPC-2000.1-05			
PuraLev® 2000MU.20	100-91204	CP-4.19 (without drain port)	LPM-2000.10	LPC-2000.2-05	Certifications: CE, IECEE CB scheme, ETL (NRTL), Hazardous Location Class I Div 2.		
PuraLev® 2000MU.22	100-91206		LPM-2000.9	LPC-2000.1-05			
PuraLev® 2000MU.23	100-91207		LPM-2000.9	LPC-2000.2-05			

Table 1: Standard system configurations with motor, controller and pump head

Pos.	Component	Article Name	Article #	Characteristics	Value / Feature
1	Multi-Use Pump Heads	CP-4.11 (with drain port)	100-90245	Impeller / Pump Housing Sealing Ring Fittings	PFA / PVDF (FDA, USP Class VI, BSE/TSE/Animal free) EPDM (FDA, USP Class VI, BSE/TSE/Animal free) Triclamp 1" for in/outlet and Triclamp ½" for drain port (Standard: BS-4825-3)
		CP-4.19 (without drain port)	100-90458	Max. Flow Max. Diff.-Pressure Max. Viscosity	140 liters/min / 37 gallons/min 4.1 bar / 59.5 psi 50 cP
2a 2b	Motor (ATEX, IECEx)	LPM-2000.7 (Epoxy)	100-10059	Housing	Epoxy (a) or ETFE (b) coated aluminum, waterproofed (IP67)
		LPM-2000.8 (ETFE)	100-10060	Cable / Connectors ATEX/IECEx Marking	2x 3 m cables with PVC (a) or FEP (b) jacket / 2x circular (M23, IP67) CE Ex II 3G Ex c nAc IIC 110°C (T4) CE Ex II 3D Ex c tc IIC T110°C IP67
2c 2d	Motor (HazLoc)	LPM-2000.10 (Epoxy)	100-10113	Housing	Epoxy (c) or ETFE (d) coated aluminum, waterproofed (IP67)
		LPM-2000.9 (ETFE)	100-10112	Connectors Hazardous Location Mark.	2x circular (M23, IP67) / NPT 1¼" for cable protection conduit Class I, Div2, Groups A-D T5 Class II, Div2, Groups E-G T5
3a	Standalone Controller (User Panel)	LPC-2000.1-05	100-30036	Voltage / Power Interfaces for Standalone Controller	1 x 200 – 240 VAC ± 10% 2 kW 50/60 Hz 3 x 200 – 240 VAC ± 10% 2 kW 50/60 Hz Panel to set speed (automatic storage on internal EEPROM) PLC with 1x analog input ("Speed") 4 – 20 mA 1x digital input ("Enable") 0 – 24 V (optocoupler) 1x digital output ("Status") 0 – 24 V (relay)
		LPC-2000.2-05	100-30037	Standard Firmware	E1.25
3b	Extended Controller (PLC and USB)	LPC-2000.1-05	100-30036	Interfaces for Extended Controller	PLC with - up to 4 digital inputs 0 – 24 V (optocoupler) - up to 4 digital outputs 0 – 24 V (relay) - up to 2 analog inputs 4 – 20 mA - up to 2 analog outputs 0 – 10 V - up to 2 analog outputs 0 – 5 V
		LPC-2000.2-05	100-30037	Standard Firmware	E1.48 USB interface (for service and system monitoring)

Table 2: Specification of standard components (Note 1: Levitronix® to be contacted for more information.)

Pos.	Component	Article Name (a)	Article Name (b)	Article # (a)	Article # (b)	Characteristics	Value / Feature
4a 4b	Extension Adaptor Cable for Sensors (a) and Power (b)	MCAS-600.2-05 (0.5m)	MCAP-2000.2-05 (0.5m)	190-10226	190-10213	Jacket Material Connectors	PVC Circular wall-mountable, metallic (IP67) to D-SUB (a) and COMBICON (b)
		MCAS-600.2-30 (3m)	MCAP-2000.2-30 (3m)	190-10238	190-10215		
5a 5b	Extension Adaptor Cable for Sensors (a) and Power (b)	MCAS-600.2-50 (5m)	MCAP-2000.2-50 (5m)	190-10127	190-10216	Jacket Material Connectors	PVC Circular, metallic (IP67) to D-SUB (a) and COMBICON (b)
		MCAS-600.2-70 (7m)	MCAP-2000.2-70 (7m)	190-10105	190-10217		
6a 6b	Interconnect Cable for Sensors (a) and Power (b)	MCAS-600.3-05 (0.5m)	MCIP-2000.3-05	190-10158	190-10219	Jacket Material Connector Types	PVC Circular M23 (IP-67) to -circular M23 metallic (Nickel coated) (IP67)
		MCAS-600.3-30 (3m)	MCIP-2000.3-30	190-10159	190-10221		
7a 7b	Air Cooling Module	ACM-2.0	190-10139	190-10392	190-10397	Material / Connection Port Air Pressure	PP (+ 40% Talcum) / NPT 1/4" -1 - 3 bar (14 - 43 psi)
		ACM-4.3 (ATEX)	190-10243	190-10392	190-10397		
8a	Fan Cooling Module	FCM-2000.1	190J-10390	190-10393	190-10398	Housing / Cable Spec. Supply Spec. / IP Rating	PP (+ 20% Talcum) white / PP jacket, 3 m, circular sealed M12 connector (PP). 24 VDC, 33.5 W / IP65 (fan is IP68 rated).
8b	Fan Cool. Module Cable	FCC-1.1-50 (5 m)	190-10407	190-10394	190-10399	Specification	PP cable jacket with circular M12 connector (PP) to open wires
9 (A – F)	ATEX Cable Sealing System	ACS-A.1 (Roxtec)	100-90292	190-10394	190-10399	Sleeve (A) and Gasket (B) Frame (C) 2x Cable Module (D)	Stainless steel and EPDM Roxylon (EPDM rubber) Roxylon (EPDM rubber) Note: Lubricant (E) and measurement plates (F) are included.
10	Autoclaving Reinforcing Tool	ART-2000.1	190-10282	190-10395	190-10400	Purpose Material / Mounting Screws	Stabilization of pump housing during autoclaving Anodized aluminum / 4 pcs. M8 x 30 mm (stainless steel)

Table 3: Specification of adaptor/extension cables for motors

Pos.	Component	Article Name	Article #	Characteristics	Value / Feature
7a	Air Cooling Module	ACM-4.2	190-10139	Material / Connection Port Air Pressure	PP (+ 40% Talcum) / NPT 1/4" -1 - 3 bar (14 - 43 psi)
7b	Air Cooling Module	ACM-4.3 (ATEX)	190-10243	Material	PP-EL-S with conductive additive for operation with ATEX motor
8a	Fan Cooling Module	FCM-2000.1	190J-10390	Housing / Cable Spec. Supply Spec. / IP Rating	PP (+ 20% Talcum) white / PP jacket, 3 m, circular sealed M12 connector (PP). 24 VDC, 33.5 W / IP65 (fan is IP68 rated).
8b	Fan Cool. Module Cable	FCC-1.1-50 (5 m)	190-10407	Specification	PP cable jacket with circular M12 connector (PP) to open wires
9 (A – F)	ATEX Cable Sealing System	ACS-A.1 (Roxtec)	100-90292	Sleeve (A) and Gasket (B) Frame (C) 2x Cable Module (D)	Stainless steel and EPDM Roxylon (EPDM rubber) Roxylon (EPDM rubber) Note: Lubricant (E) and measurement plates (F) are included.
10	Autoclaving Reinforcing Tool	ART-2000.1	190-10282	Purpose Material / Mounting Screws	Stabilization of pump housing during autoclaving Anodized aluminum / 4 pcs. M8 x 30 mm (stainless steel)

Table 4: Specification of accessories

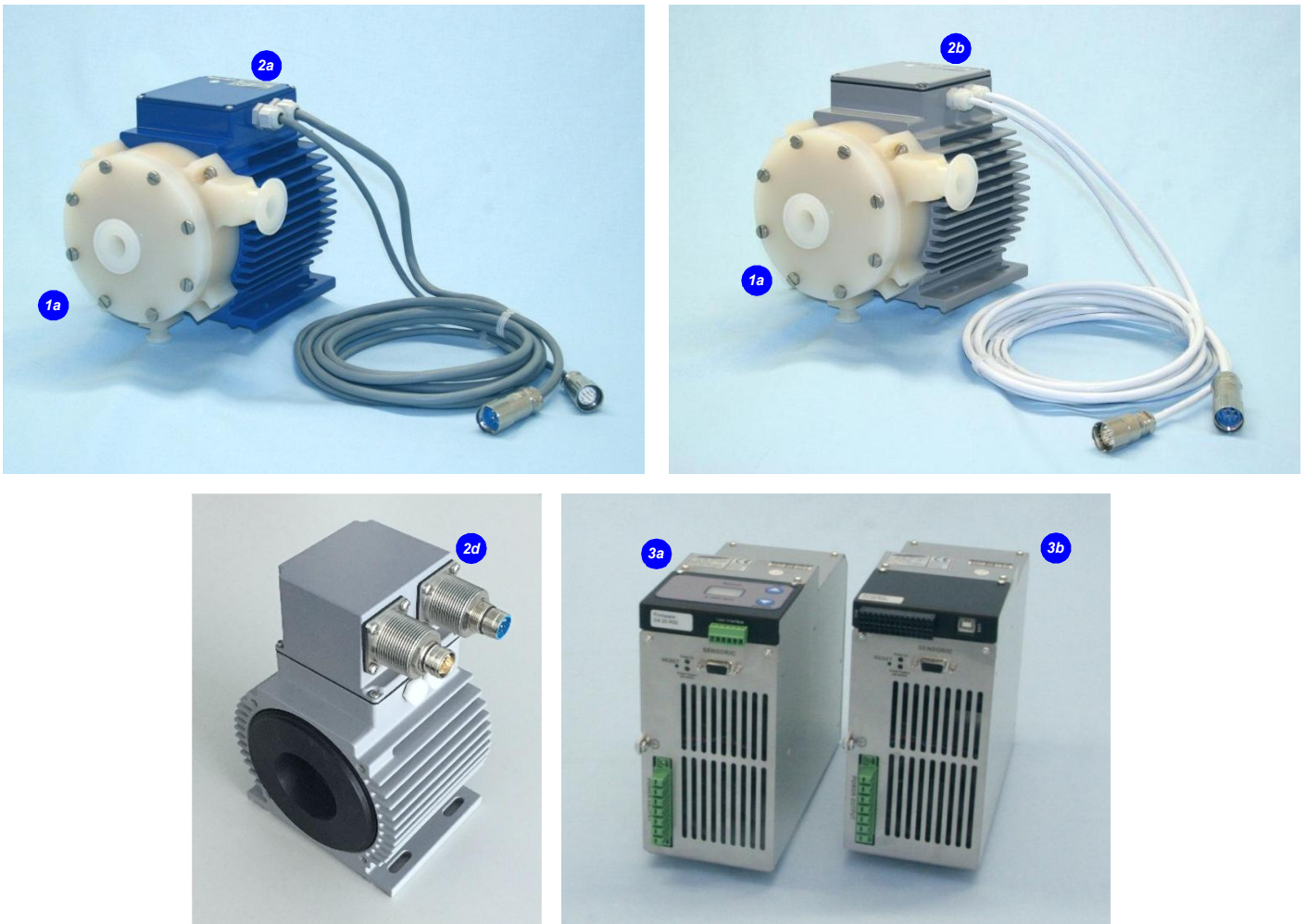


Figure 11: Pump system with standard components



Figure 12: Accessories

Levitronix® is the world-wide leader in magnetically levitated bearingless motor technology. Levitronix® was the first company to introduce bearingless motor technology to the Semiconductor, Medical and Life Science markets. The company is ISO 9001 certified. Production and quality control facilities are located in Switzerland. In addition, Levitronix® is committed to bring other highly innovative products like the LEVIFLOW® flowmeter series to the market.



● LEVITRONIX®  
● Representatives

#### Headquarter and European Contact

Levitronix GmbH  
Technoparkstr. 1  
CH-8005 Zurich  
Switzerland

Phone: +41 44 445 19 13  
Fax: +41 44 445 19 14  
E-Mail: [salesEurope@levitronix.com](mailto:salesEurope@levitronix.com)

#### US Contact

Levitronix Technologies LLC  
20 Speen Street, Suite 102  
Framingham, Massachusetts 01701  
USA

Phone: +1 508 861 3800  
Fax: +1 508 861 3837  
E-Mail: [salesUS@levitronix.com](mailto:salesUS@levitronix.com)

#### Japan Contact

Levitronix Japan K.K.  
Wing Eight 5floor, 4-16-4  
Asakusabashi, Taito-ku  
Tokyo, 111-0053 Japan

Phone: +81 3 5823 4193  
Fax: +81 3 5823 4195  
E-Mail: [salesJapan@levitronix.com](mailto:salesJapan@levitronix.com)

#### Taiwan Contact

Levitronix Taiwan  
5F, No. 251, Dong Sec. 1, Guangming  
6th Rd., Chu Pei City,  
Hsin-Chu 302, Taiwan, R.O.C.

Phone: +886 3 657 6209  
Fax: +886 988 321472  
E-Mail: [salesAsia@levitronix.com](mailto:salesAsia@levitronix.com)