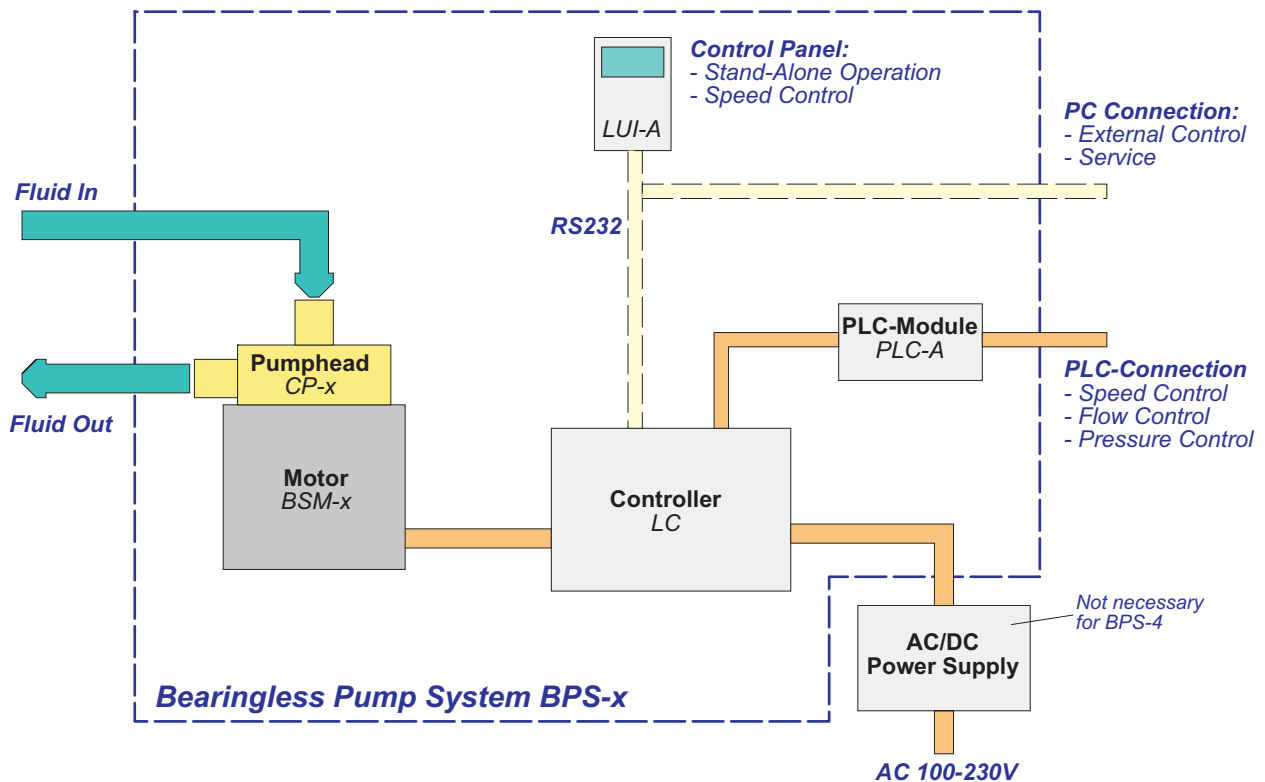




April 2007

ARTICLE LIST

Bearingless Pump System BPS



Contact Addresses

USA:Levitronix LLC
85 First Avenue, Waltham, Massachusetts 02451
Tel.: +1-781 622 5070, Fax: +1-781 622 5090
Internet: info@levitronix.com, www.levitronix.com

Europe:Levitronix GmbH
Technoparkstr. 1, CH-8005 Zürich, Switzerland
Tel.: +41-1-445 19 13, Fax: +41-1-445 19 14
Internet: info@levitronix.com, www.levitronix.com

Levitronix Article List	
BPS-1 Pump System, Accessories and Spare Parts	
Article Name and Description	Part No.
Systems BPS-1	
Pump System BPS-1.4 Motor BSM-1.3 (2m FEP-Cable, Circular Connectors, ETFE Housing Coating, Adaptor Cable MCA-1.x-yy necessary) Controller LC24 (24V) Pump CP-1.3 (PTFE Housing, PFA-Impeller, Flaretek 1/2" Fitting, Kalrez O-Ring)	100-90125
Pump System BPS-1.5 Motor BSM-1.4 (5m FEP-Cable, D-SUB Connector, ETFE Housing Coating) Controller LC24 (24V) Pump CP-1.3 (PTFE Housing, PFA-Impeller, Flaretek 1/2" Fitting, Kalrez O-Ring)	100-90113
Accessories BPS-1	
PLC - Interface PLC-A.1	100-30200
AC/DC Power Supply 110-230V AC/24D DC/120W TSL 120-124 (Traco)	100-40001
User-Interface LUI-A.1	100-30300
Air Cooling Module ACM-1.1 (BSM 1.x)	190-10003
Mounting Base Plate MBP-1.1 (BSM 1.x)	190-10004
Impeller Exchange Tool, IET-1.1 (POM-C)	100-20301
Adapter/Extension Cable MCA-1.1-05 (0.5m, PUR-Jacket, Circular/D-SUB)	190-10005
Adapter/Extension Cable MCA-1.1-10 (1m, PUR-Jacket, Circular/D-SUB)	190-10010
Adapter/Extension Cable MCA-1.1-30 (3m, PUR-Jacket, Circular/D-SUB)	190-10015
Adapter/Extension Cable MCA-1.1-50 (5m, PUR-Jacket, Circular/D-SUB)	190-10033
Adapter/Extension Cable MCA-1.1-70 (7m, PUR-Jacket, Circular/D-SUB)	190-10050
Adapter/Extension Cable MCA-1.1-100 (10m, PUR-Jacket, Circular/D-SUB)	190-10080

Spare Parts	BPS-1	
Motor BSM-1.3 (24V, 2m FEP-Cable, Circular Connector, ETFE-Coated Housing, Adaptor Cable MCA-1.x-yy necessary)		100-10004
Motor BSM-1.4 (24V, 5m FEP-Cable, D-SUB Connector, 25 pin, ETFE-Coated Housing)		100-10005
Controller Set LC24 (Includes Power Supply Cable, PSC-1.1)		100-90319
Pump Head CP-1.3 (PTFE-Housing, PFA-Impeller, Kalrez O-Ring, Flaretek 1/2" Fitting)		100-90209
KALREZ O-Ring 50.52x 1.78 (Compound 6375) for Pump Casings PCA-1.x		500-00009
Impeller IMP-1.2 (PFA)		100-20204
Impeller Exchange Kit IEK-1.1 (IMP-1.2 PFA, 6 PVDF Screws, Kalrez O-Ring, Impeller Exchange Tool IET-1.1)		100-90506

Levitronix Article List BPS-3 Pump System, Accessories and Spare Parts	
Article Name and Description	Part No.
Systems BPS-3	
Pump System BPS-3.6 Motor BSM-3.2 (6m Cable, D-SUB/Combicon, ETFE Housing Coating) Controller LC48 (48V) Pump Head CP-3.2 (PVDF-Housing, ECTFE-Impeller, NPT 1" Fitting, Kalrez O-Ring)	100-90112
Pump System BPS-3.7 Motor BSM-3.2 (6m Cable, D-SUB/Combicon, ETFE Housing Coating) Controller LC48 (48V) Pump Head CP-3.5 (PFA-Housing, PFA-Impeller, Flaretek 1" Fitting, Kalrez O-Ring)	100-90114
Pump System BPS-3.11 Motor BSM-3.4-05 (0.5m Cable, Circular Connector, ETFE Housing Coating Adaptor Cable MCAS-3.x-yy and MCAP-3.x-yy necessary) Controller LC48 (48V) Pump Head CP-3.5 (PFA-Housing, PFA-Impeller, Flaretek 1" Fitting, Kalrez O-Ring)	100-90124
Pump System BPS-3.12 Motor BSM-3.4-30 (3m Cable, Circular Connector, ETFE Housing Coating Adaptor Cable MCAS-3.x-yy and MCAP-3.x-yy necessary) Controller LC48 (48V) Pump Head CP-3.5 (PFA-Housing, PFA-Impeller, Flaretek 1" Fitting, Kalrez O-Ring)	100-90224

Accessories BPS-3	
Power Supply TIS 600-148 (Traco) (48V DC)	100-40002
PLC Interface Cable PLC-A.1	100-30200
User-Interface LUI-A.1	100-30300
Air Cooling Module ACM-3.1 (BSM 3.x)	190-10001
Mounting Base Plate MBP-3.1 (BSM 3.x)	190-10002
Impeller Exchange Tool IET-3.1 (POM-C)	100-20300
Adapter/Extension Power Cable, MCAP-3.1-05 (0.5m, PUR-Jacket, Circular/COMBICON)	190-10011
Adapter/Extension Sensor Cable, MCAS-3.1-05 (0.5m, PUR-Jacket, Circular/D-SUB)	190-10013
Adapter/Extension Power Cable, MCAP-3.1-10 (1m, PUR-Jacket, Circular/COMBICON)	190-10078
Adapter/Extension Sensor Cable, MCAS-3.1-10 (1m, PUR-Jacket, Circular/D-SUB)	190-10077
Adapter/Extension Power Cable, MCAP-3.1-30 (3m, PUR-Jacket, Circular/COMBICON)	190-10012
Adapter/Extension Sensor Cable, MCAS-3.1-30 (3m, PUR-Jacket, Circular/D-SUB)	190-10014
Adapter/Extension Power Cable, MCAP-3.1-50 (5m, PUR-Jacket, Circular/COMBICON)	190-10006
Adapter/Extension Sensor Cable, MCAS-3.1-50 (5m, PUR-Jacket, Circular/D-SUB)	190-10007
Adapter/Extension Power Cable, MCAP-3.1-70 (7m, PUR-Jacket, Circular/COMBICON)	190-10079
Adapter/Extension Sensor Cable, MCAS-3.1-70 (7m, PUR-Jacket, Circular/D-SUB)	190-10039
Adapter/Extension Power Cable, MCAP-3.1-100 (10m, PUR-Jacket, Circular/COMBICON)	190-10066
Adapter/Extension Sensor Cable, MCAS-3.1-100 (10m, PUR-Jacket, Circular/D-SUB)	190-10067

Spare Parts BPS-3	
Motor BSM-3.2 (48V, ETFE Coating, 6m FEP Cable with D-SUB/Combicon, ETFE Housing Coating)	100-10001
Motor BSM-3.4-05 (48V, ETFE Coating, 0.5m FEP Cable with Circular Connectors, ETFE Housing Coating, Adaptor Cable MCAS-3.x-yy and MCAP-3.x-yy necessary)	100-10010
Motor BSM-3.4-30 (48V) (ETFE Coating, 3m FEP Cable with Circular Connectors, ETFE Housing Coating, Adaptor Cable MCAS-3.x-yy and MCAP-3.x-yy necessary)	100-10015
Controller Set LC48 (Includes Power Supply Cable, PSC-3.1)	100-90318
Pump Head CP-3.2 (PVDF Housing, ECTFE-Impeller, NPT 1" Fitting, Kalrez O-Ring)	100-90204
Pump Head CP-3.5 (PFA Housing, PFA-Impeller, Flaretek 1" Fitting, Kalrez O-Ring)	100-90206
KALREZ O-Ring 72.62x3.53 (Compound 6375) for Pump Casings PCA-3.x	500-00008
Impeller IMP-3.2 (ECTFE)	100-20201
Impeller IMP-3.3 (PFA)	100-20202
Impeller Exchange Kit IEK-3.3 (IMP-3.2 ECTFE, 8 PVDF Screws, Kalrez O-Ring, Impeller Exchange Tool IET-3.1)	100-90503
Impeller Exchange Kit IEK-3.4 (IMP-3.3 PFA, 8 PVDF Screws, Kalrez O-Ring, Impeller Exchange Tool IET-3.1)	100-90504

Levitronix Article List	
BPS-4 Pump System, Accessories and Spare Parts	
Article Name and Description	Part No.
Systems BPS-4	
Pump System BPS-4.2 Motor BSM-4.1 (6m Cable, D-SUB/Combicon, ETFE Coated Housing) Controller LC325 Pump Head CP-4.2 (PTFE-Housing, ECTFE-Impeller, Flaretek 1", Kalrez O-ring)	100-90116
Pump System BPS-4.4 Motor BSM-4.2-30 (3m Cable, Circular Connector, ETFE Coated Housing, Adaptor Extension Cables MCAP-4.x-yy and MCAS-3.x.yy necessary) Controller LC325 Pump Head CP-4.2 (PTFE-Housing, ECTFE-Impeller, Flaretek 1", Kalrez O-ring)	100-90128
Pump System BPS-4.10 Motor BSM-4.2-30 (3m Cable, Circular Connector, ETFE Coated Housing, Adaptor Extension Cables MCAP-4.x-yy and MCAS-3.x-yy necessary) Controller LC325 Pump Head CP-4.5 (PTFE-Housing, PFA-Impeller, Flaretek 1", Kalrez O-Ring)	100-90146
Pump System BPS-4.12 Motor BSM-4.1 (6m Cable, D-SUB/Combicon, ETFE Coated Housing) Controller LC325 Pump Head CP-4.5 (PTFE-Housing, PFA-Impeller, Flaretek 1", Kalrez O-Ring)	100-90165

Accessories BPS-4	
PLC Interface Cable PLC-A.1	100-30200
User-Interface LUI-A.1	100-30300
Air Cooling Module ACM-4.1 (BSM 4.x)	190-10016
Impeller Exchange Tool IET-3.1 (POM-C)	100-20300
Adapter/Extension Power Cable, MCAP-4.1-05 (0.5m, PUR-Jacket, Circular/COMBICON)	190-10084
Adapter/Extension Sensor Cable, MCAS-3.1-05 (0.5m, PUR-Jacket, Circular/D-SUB)	190-10013
Adapter/Extension Power Cable, MCAP-4.1-10 (1m, PUR-Jacket, Circular/COMBICON)	190-10076
Adapter/Extension Sensor Cable, MCAS-3.1-10 (1m, PUR-Jacket, Circular/D-SUB)	190-10077
Adapter/Extension Power Cable, MCAP-4.1-30 (3m, PUR-Jacket, Circular/COMBICON)	190-10023
Adapter/Extension Sensor Cable, MCAS-3.1-30 (3m, PUR-Jacket, Circular/D-SUB)	190-10014
Adapter/Extension Power Cable, MCAP-4.1-50 (5m, PUR-Jacket, Circular/COMBICON)	190-10029
Adapter/Extension Sensor Cable, MCAS-3.1-50 (5m, PUR-Jacket, Circular/D-SUB)	190-10007
Adapter/Extension Power Cable, MCAP-4.1-70 (7m, PUR-Jacket, Circular/COMBICON)	190-10038
Adapter/Extension Sensor Cable, MCAS-3.1-70 (7m, PUR-Jacket, Circular/D-SUB)	190-10039
Adapter/Extension Power Cable, MCAP-4.1-100 (10m, PUR-Jacket, Circular/COMBICON)	190-10075
Adapter/Extension Sensor Cable, MCAS-3.1-100 (10m, PUR-Jacket, Circular/D-SUB)	190-10067

Spare Parts BPS-4	
Motor BSM-4.1 (325V, ETFE Coating, 6m FEP Cable with D-SUB/Combicon)	100-10007
Motor BSM-4.2-30 (325V, ETFE Coating, 3m FEP Cable with Circular Connector, Adaptor Cables MCAP-4.x-yy and MCAS-3.x-yy Necessary)	100-10011
Controller Set LC325 (Includes Mains Connector, PSC-4.1)	100-30313
Pump Head CP-4.2 (PTFE Housing, Flaretek 1", ECTFE-Impeller, Kalrez O-Ring)	100-90213
Pump Head CP-4.5 (PTFE Housing, Flaretek 1", PFA-Impeller, Kalrez O-Ring)	100-90230
KALREZ O-Ring 98.02x3.53 (Compound 6375) for Pump Casings PCA-4.x	500-00011
Impeller IMP-4.1 (ECTFE)	100-20206
Impeller IMP-4.2 (PFA)	100-20210
Impeller Exchange Kit, IEK-4.1 (IMP-4.1 ECTFE, 8 PVDF Screws, Kalrez O-ring, Impeller Exchange Tool IET 3.1)	100-90505
Impeller Exchange Kit, IEK-4.2 (IMP-4.2 PFA, 8 PVDF Screws, Kalrez O-ring, Impeller Exchange Tool IET 3.1)	100-90510